

# Ratchet Clutch

Protect your equipment from damaging torque spikes

Depend on our ratchet clutch for implement overload protection. When the system becomes overloaded, the pulsating torque helps clear blockages, without operator intervention. Engineered and tested for high performance, our compact ratchet clutch handles your toughest operating conditions.



## Features & Benefits

### DESIGN

- Available in drive line or through-shaft configurations
- Disconnect torque settings range from 110 to 1,500 Nm
- Application speeds up to 700 rpm

### PERFORMANCE

- Repeatable overload disconnect
- Audible indication of disconnect event alerts operator
- Torque transmits in pulses during overload to aid in blockage removal. No need for operator to slow or leave vehicle.
- Clutch automatically re-engages when transmitted torque drops below device's torque setting

## Applications

- Balers
- Combines and combine headers
- Grain augers
- Fertilizer spreaders
- Hay rakes or tedders
- Mower conditioners

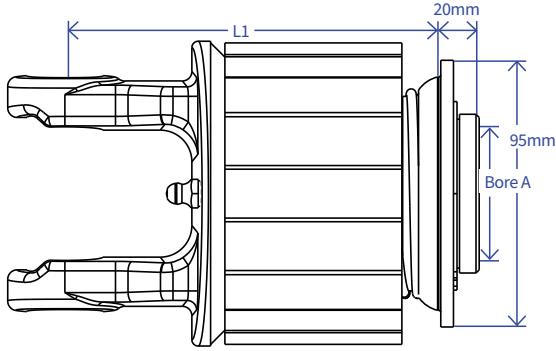
## Commitment to Quality

Weasler ratchet clutches are specifically tested for disconnect torque, helping ensure reliable overload protection and increasing the productivity of the farmers who rely on the durability of your machines. Our consistent focus on quality, safety and continuous improvement means you receive the best products available.

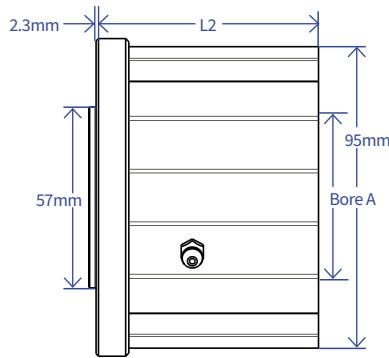


# Product Specifications

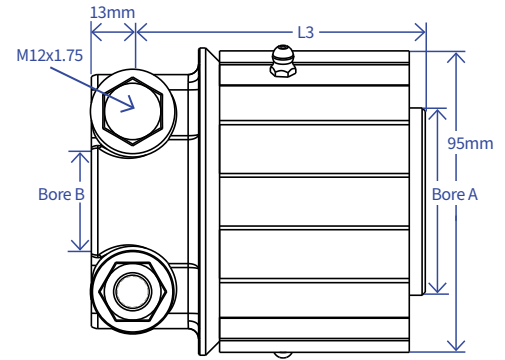
## Drive Shaft



## Flange



## Clamp Hub



## DRIVE SHAFT AND FLANGE

TORQUE SETTING			YOKES <sup>3</sup> - L1 [MM]						FLANGE - L2 [MM]	
Model	Max	Common <sup>1</sup>	Bore <sup>2</sup> - [A]	Locking Method	AB1	AB2	AB4	AB5	AB6	6xM8x1.25 on 84 mm BC
	[Nm]	[Nm]			AW10	AW20	AW21	AW35	AW22	
SR1	300	110 150 225 300	1 3/8-6 Spline	Spring Lock	111.5	111.5				84
			1 3/8-21 Spline							
SR2	600	300 375 450 525 600	1 3/8-6 Spline	Spring Lock	130	130	140.5			102
			1 3/8-21 Spline							
SR3	900	525 600 675 750 825 900	1 3/8-6 Spline	Spring Lock		148.5	159	165.5	174	121
			1 3/8-21 Spline							
SR4	1200	825 900 975 1050 1125 1200	1 3/8-6 Spline	Spring Lock			177.5	184	192.5	139
			1 3/8-21 Spline							
SR5	1500	1125 1200 1275 1350 1425 1500	1 3/8-6 Spline	Spring Lock			196	202.5	211	158
			1 3/8-21 Spline							

1) Other torque settings available upon request 2) Other bores available upon request 3) Other series available upon request

## CLAMP HUB

					CLAMP HUB - L3 [MM]				
TORQUE SETTING					BORE <sup>2</sup> [B]				
Model	Max	Common <sup>1</sup>	Bore <sup>2</sup> - [A]	Locking Method	Spine Bore		Round Bore		
	[Nm]	[Nm]			1 3/8-21	8x46x50	1.375" w/ keyway	50 mm	2.25"
SR1	300	110 150 225 300	1 3/8-21 Spline	None					91
			1.25 Hex	None					
			30 mm Hex	None					
SR2	600	300 375 450 525 600	1 3/8-21 Spline	None					109
			1.25 Hex	None					
			30 mm Hex	None					
SR3	900	525 600 675 750 825 900	1 3/8-21 Spline	None					128
			1.25 Hex	None					
			30 mm Hex	None					

1) Other torque settings available upon request 2) Other bores available upon request